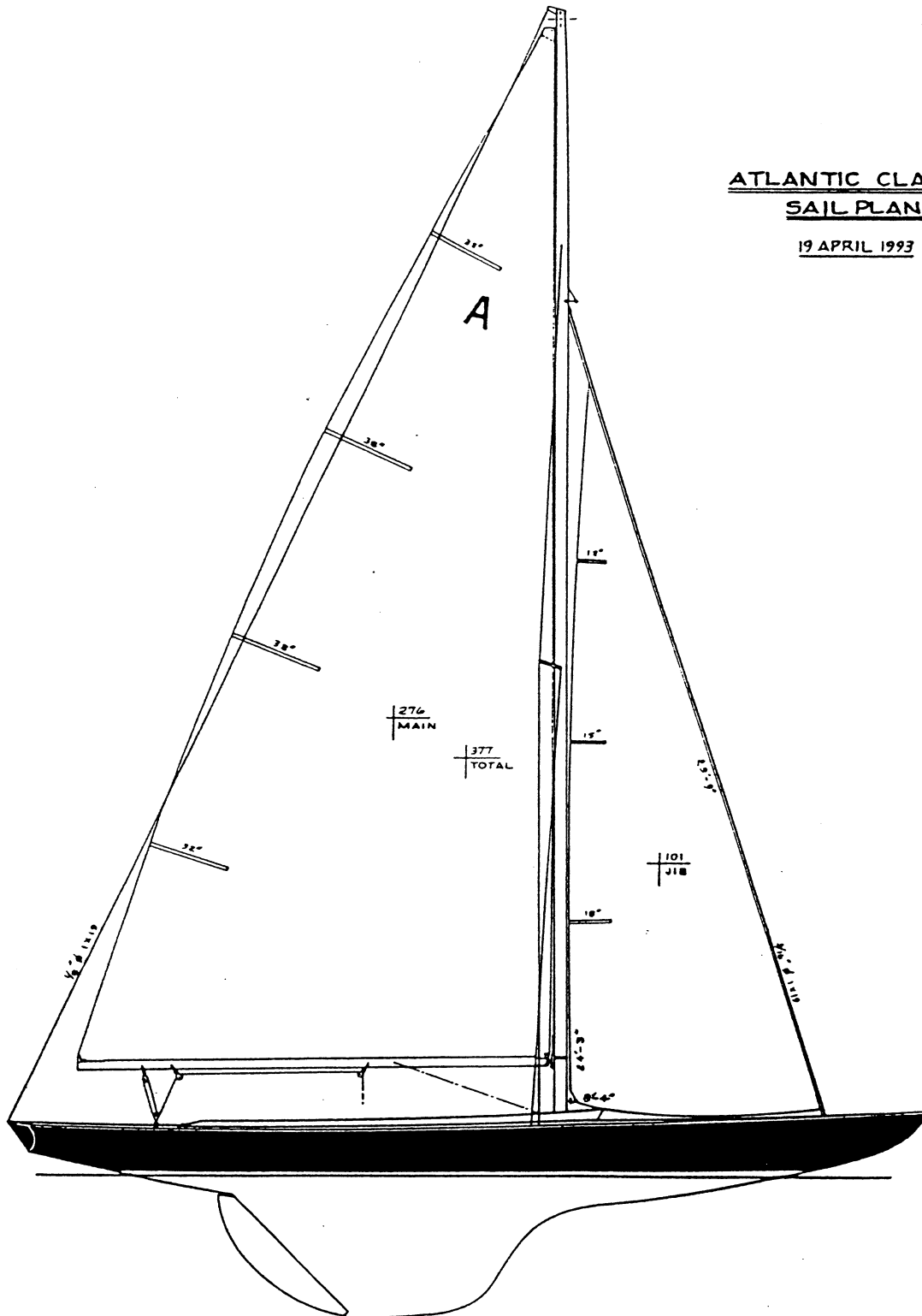


ATLANTIC CLASS

SAIL PLAN

19 APRIL 1993



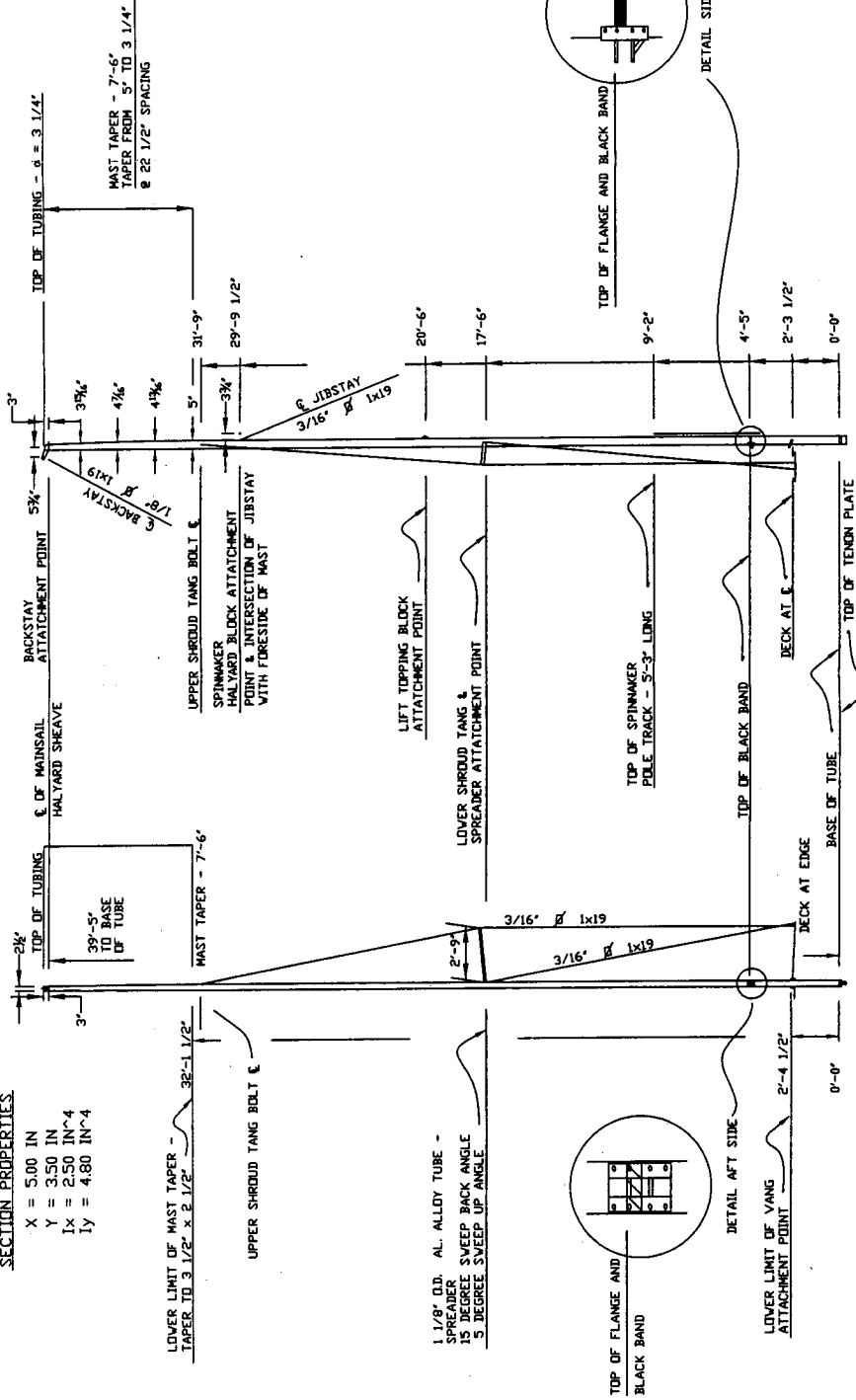
MINIMUM SECTION PROPERTIES

X = 5.00 IN
 Y = 3.50 IN
 Ix = 2.50 IN⁴
 Iy = 4.80 IN⁴

LOWER LIMIT OF MAST TAPER -
 TAPER TO 3 1/2" X 2 1/2"

UPPER SHROUD TANG BOLT

1 1/8" O.D. AL. ALLOY TUBE -
 SPREADER
 IS DEGREE SWEEP BACK ANGLE
 5 DEGREE SWEEP UP ANGLE



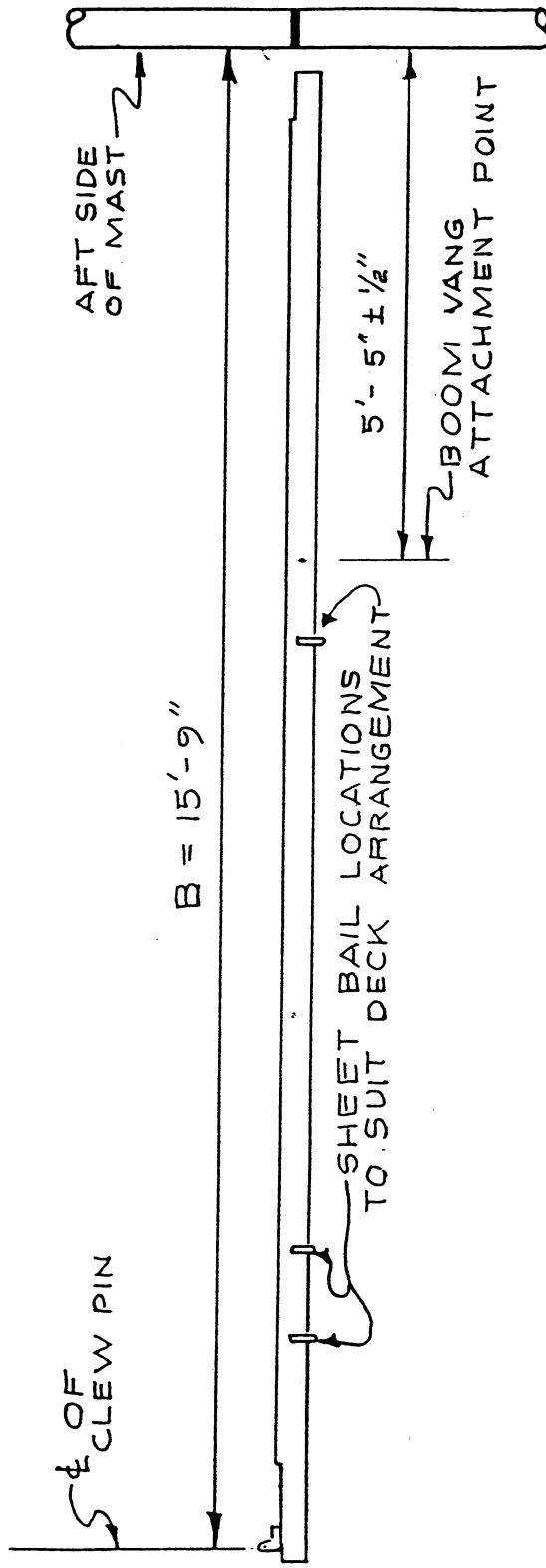
- TENDON : 5' LONG
 1 3/8" WIDE
 1 1/8" DEEP
- TENDON PLATE
 THICKNESS : NOT
 GREATER THAN 3/8

**ATLANTIC CLASS
 MAST**

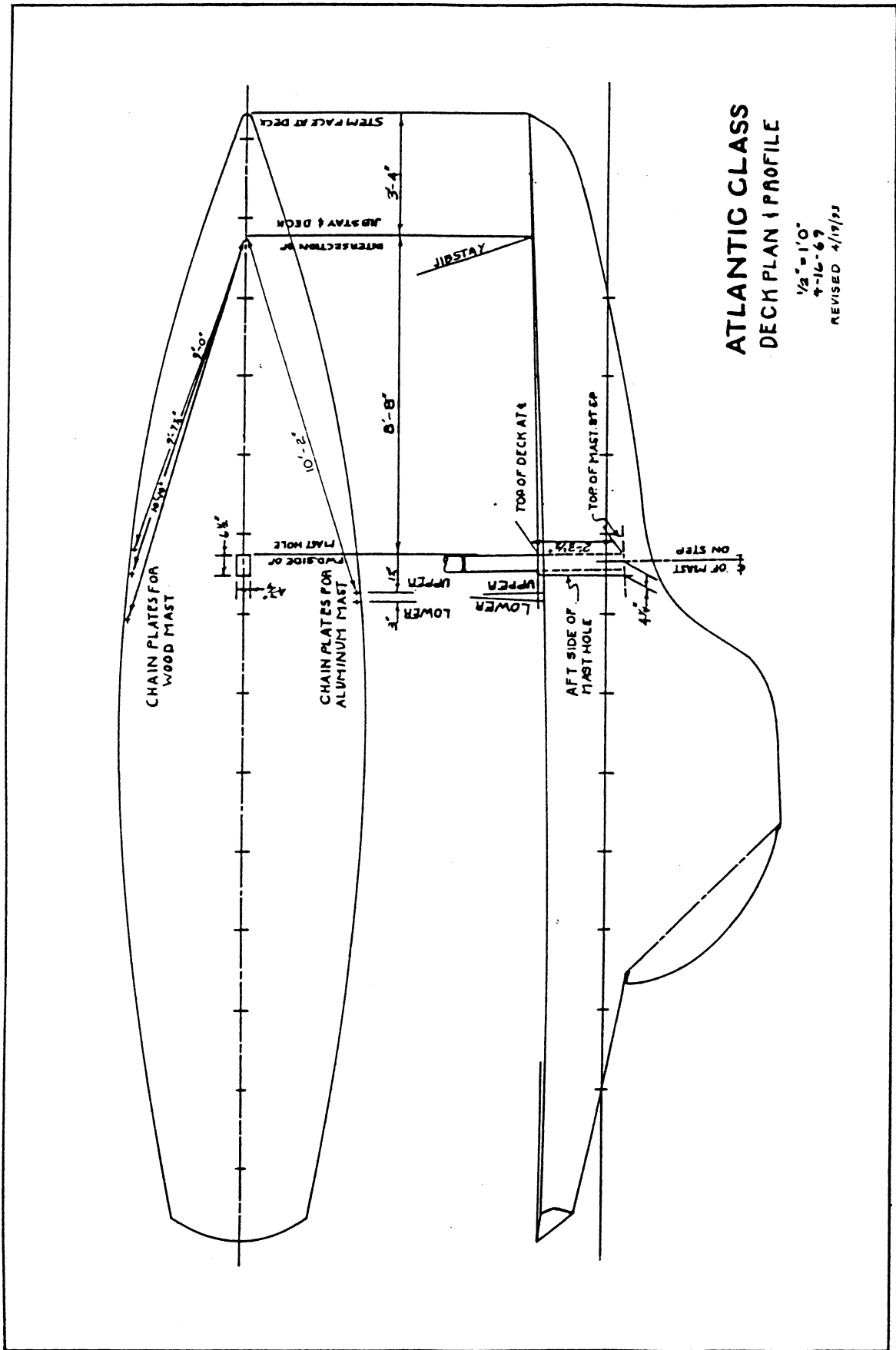
McCurdy & Rhodes, Inc.
 Revised: 4 Dec. 2002

MINIMUM
SECTION PROPERTIES

X = 4.50 IN
Y = 2.75 IN
I_x = 1.10 IN⁴
I_y = 2.40 IN⁴

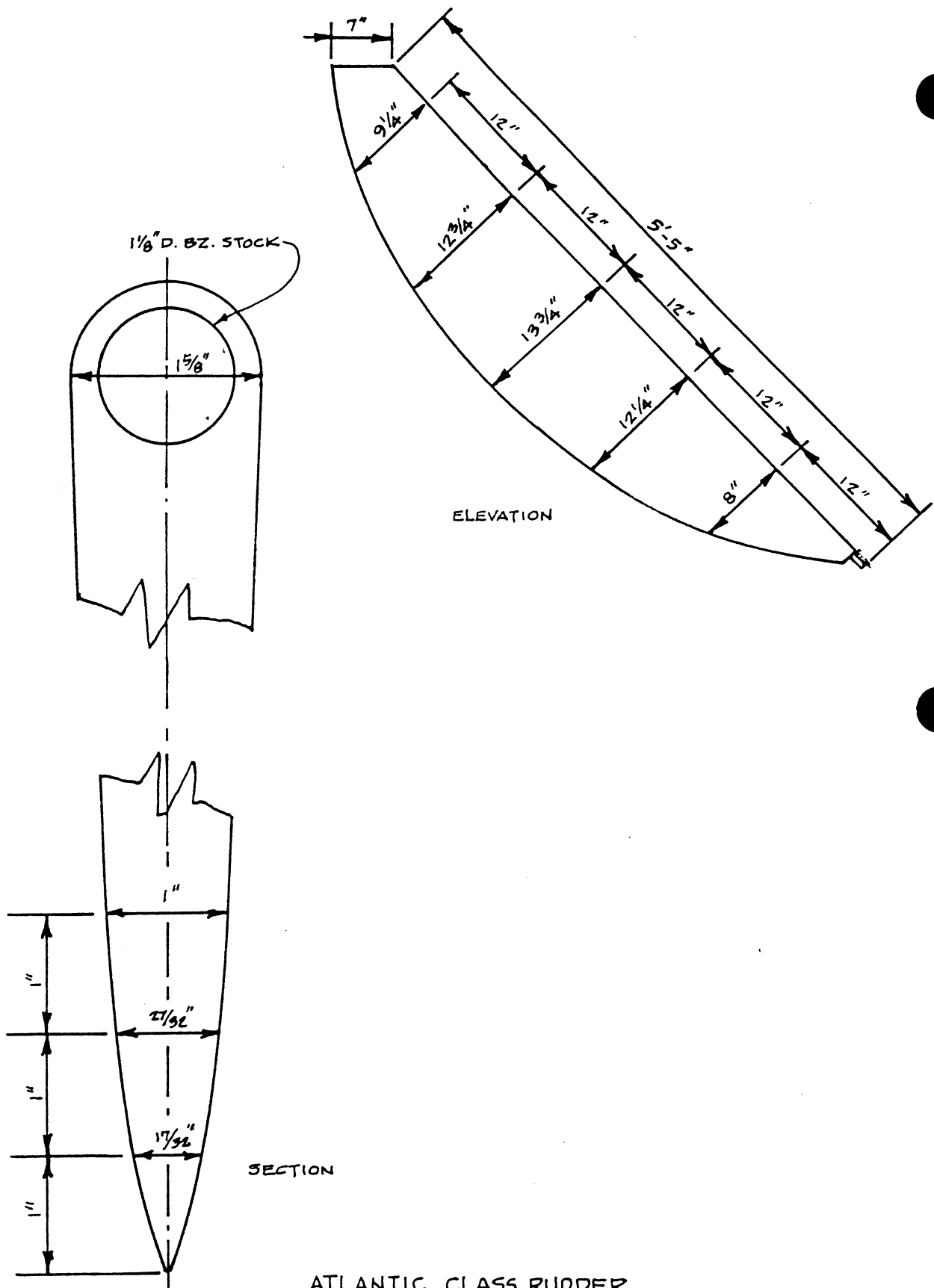


ATLANTIC CLASS BOOM



**ATLANTIC CLASS
DECK PLAN & PROFILE**

1/2" = 1'0"
4-16-69
REVISED 4/17/93



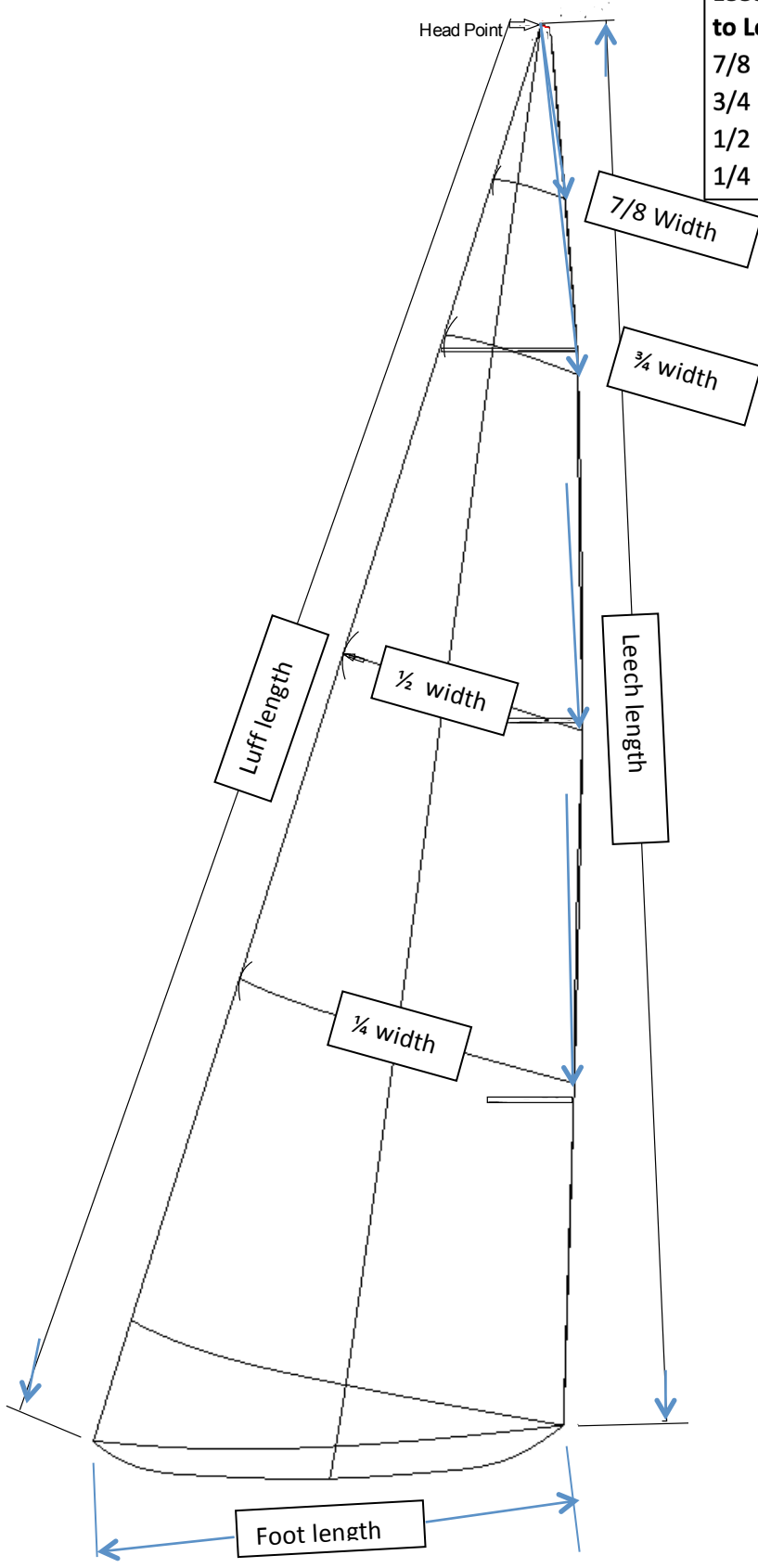
ELEVATION

SECTION

ATLANTIC CLASS RUDDER
MATERIAL - FIBERGLASS

DRAWING R-B

Atlantic Class Jib Measurement 2019



Leech points defined by distance from Head Point to Leech intersection in a straight line

- 7/8 Leech Point distance from Head Point 3'
- 3/4 Leech Point distance from Head Point 5' 11"
- 1/2 Leech Point distance from Head Point 11' 10"
- 1/4 Leech Point distance from Head Point 17' 9"

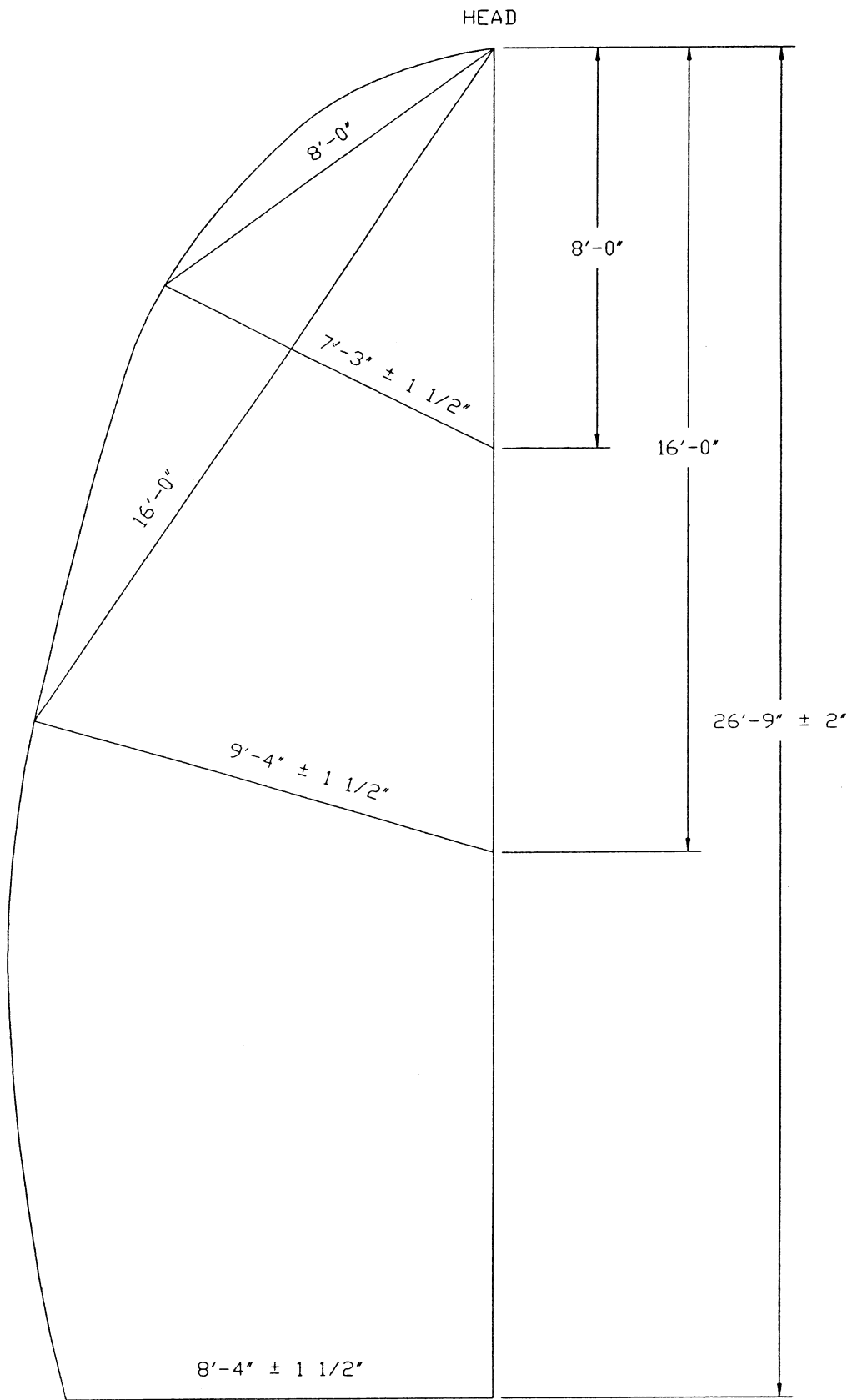
	<u>Maximum</u>
Luff Length	25' 2"
Leech Length	23' 9"
Foot Median	24' 11"
Top Width	2-1/2"
7/8 Width	1' 4-1/4"
3/4 Width	2' 6-1/4"
1/2 Width	4' 6"
1/4 Width	6' 2-3/4"
Foot Length	8' 1-1/2"

Maximum batten lengths

- Batten 1 (top) 12"
- Batten 2 (middle) 15"
- Batten 3 (bottom) 18"

Clew point to intersection of leech and centerline of lowest Batten pocket: 5'

Head Point to intersection of leech and centerline of uppermost batten pocket: 5'



ATLANTIC CLASS SPINNAKER